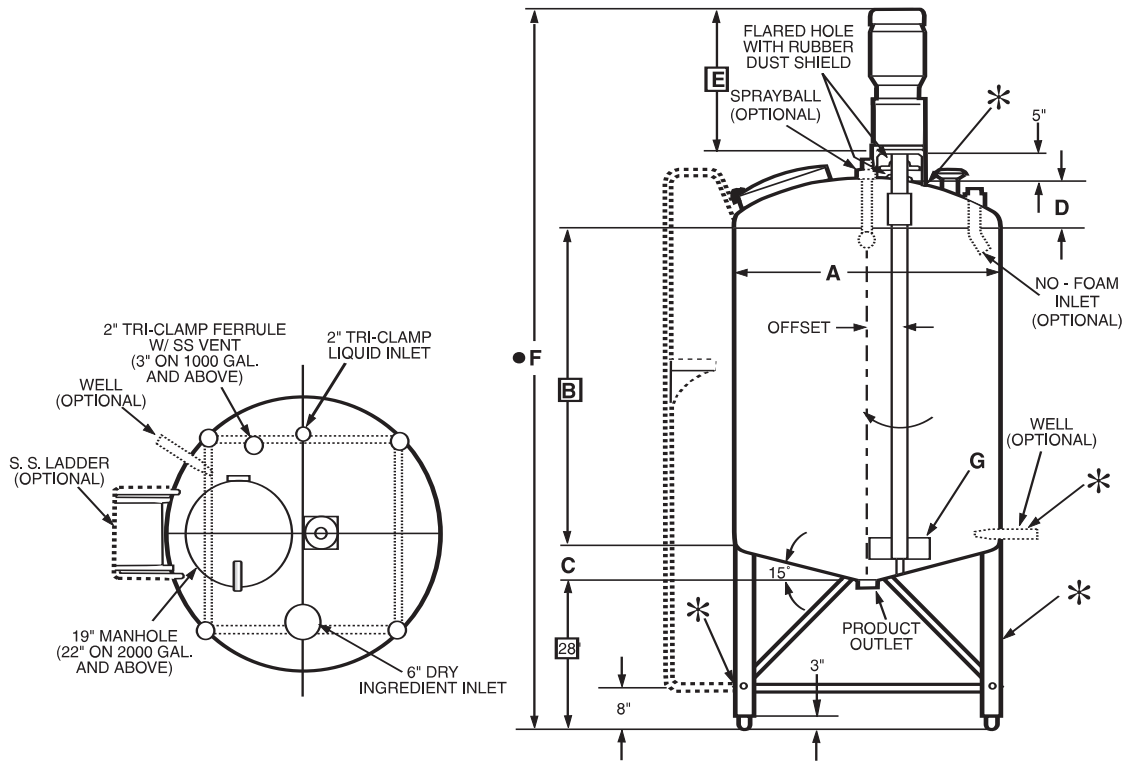




# SPECIFICATIONS FOR HI-MIX PROCESSORS CONE BOTTOM, CENTER OUTLET



### HI-MIX TANKS

Rated Capacity - Gallons	200	300	400	500	600	800	1,000	1,500	2,000	2,500	3,000
Actual Capacity - Gallons	220	330	440	550	660	880	1,100	1,650	2,200	2,700	3,300
<b>Dimensions</b>											
A=Inside Diameter	38	44	46	50	56	57	64	74	78	86	86
B=Shell Height	42	48	60	60	60	72		84	96	96	120
C=Cone Depth	5-1/2	6-1/4	6-1/2	7	8	8	9	10-1/4	10-3/4	11	11
D=Dome Height	6-1/2	7-1/2	7-3/4	8-1/2	9-1/2	9-3/4	11	12-3/4	13-1/2	14-1/2	14-1/2
E=Agitator Height	20	20	20	20	20	24	24	26	30	30	30
• F=Overall Height	107	115	127	129	131	147	149	166	183	188	212
G=Sweep Diameter	12	14	14	14	14	16	16	18	20	20	20
<b>Turbine Agitator Assembly</b>											
HP	3 HP	5 HP	5 HP	5 HP	5 HP	7-1/2 HP	7-1/2 HP	10 HP	15 HP	15 HP	15 HP
RPM	270 RPM	270 RPM	270 RPM	270 RPM	270 RPM	270 RPM	270 RPM	270 RPM	270 RPM	270 RPM	270 RPM



# SPECIFICATIONS FOR HI-MIX PROCESSORS CONE BOTTOM, CENTER OUTLET

## HI-MIX TANKS

Rated Capacity - Gallons	200	300	400	500	600	800	1,000	1,500	2,000	2,500	3,000
Actual Capacity - Gallons	220	330	440	550	660	880	1,100	1,650	2,200	2,700	3,300

### Material Gauges

Top Dome	12	12	12	10	10	10	10	10	10	8	8
Inner Side Walls	12	12	12	12	12	12	12	12	12	12	12
Inner Bottom	10	10	10	10	10	10	10	10	10	8	8
Outer Jacket Optional	14	14	14	14	14	12	12	12	12	12	12
Outer Bottom Optional	12	12	12	12	12	12	12	12	12	12	12

### Nozzles - In.

Product Inlet Size	2	2	2	2	2	2	2	2	2	2	2
Product Outlet Size	2-1/2	2-1/2	2-1/2	2-1/2	2-1/2	3	3	3	3	4	4
Number of Legs	4	4	4	4	4	4	4	5	5	6	6
Approx. Shipping Weight	1,000	1,300	1,500	2,000	2,200	2,800	3,200	4,000	4,500	5,000	6,000

Ideal for rapid incorporation of powders and particulates into slurries. High-speed agitation is achieved with squirrel-cage agitator and economical helical gear agitator drive. Use an optional variable speed, programmable motor drive to meet various processing cycle requirements. Custom Hi-Mix tank sizes, agitation, materials, finishes and other options are offered with flat or cone bottom designs.

## CONE BOTTOM

### STANDARD

- 15° cone

### OPTIONAL

- 30° cone
- Other configurations of cone available upon request

## TANK MATERIAL

### STANDARD

- 304 stainless steel top dome, inner side wall and inner bottom.
- # 4 finish stainless steel inside & outside

### OPTIONAL MATERIAL

- T316L stainless steel top dome, side wall and bottom

### OPTIONAL FINISHES

- OD, # 4 finish with welds stripe buffed
- Other finishes available upon request

## INSULATION & OUTER WRAP

### OPTIONAL

- 2" fiberglass sides & bottom, and cone
- 12 GA 304 stainless steel, #4 finish

### OPTIONAL

- Insulated stainless steel outer dome

## AGITATOR ASSEMBLY

### STANDARD

- Stainless steel, #4 polish high-speed squirrel cage ass'y.
- Use an optional programmable VFD to meet various processing cycle requirements
- Tubular shaft, nylon bearings



## SPECIFICATIONS FOR HI-MIX PROCESSORS CONE BOTTOM, CENTER OUTLET

- Opening - flared in center of dome with rubber dust shield
- Agitator Motor - single speed totally enclosed, fan cooled, gear motor, 230/460V/3/60 Hz
- Motor mounting bracket -type T304 stainless steel, # 4 polish

### OPTIONAL

- Motor horsepower & RPM can be changed based on application.
- Sealed agitator port with two piece rotary seal & dust shield

### HEAT TRANSFER SURFACE

#### OPTIONAL

- Preformed stainless steel pressure wall panels are welded to outer surface of liner and divided into separate zones.
- One zone on bottom and remainder on side walls are designed for operating pressures up to 100 psig.
- All internal connections are stainless steel.
- Heat transfer jacket and pressure drop requirements based on application, contact factory for options.
- ASME code stamp vessel
- CRN code Stamp Vessel

### MANWAY

#### STANDARD

- 18" diameter non-insulated stainless steel with "O" ring gasket
- Stainless steel hinge & latch

### AIR VENT

#### STANDARD

- 3" vent tube with 4" vent screen up to 1000 gallon
- 4" vent tube with 5" vent screen on 1500 gallon and larger

### PRODUCT INLET

#### STANDARD

- 3" stainless steel sanitary ferrule in dome
- #### OPTIONAL
- 2" removal no-foam inlet assembly
  - Removal double spray ball

### CIP

#### OPTIONAL

- 3" Sanitary ferrule in dome for CIP assembly

### BAFFLE

#### OPTIONAL

- Removal, adjustable stainless steel #4 finish

### THERMOMETER FITTINGS

#### OPTIONAL

- One stainless steel projectile-type well through side wall for indicating thermometer
- Stainless steel mounting lugs for recording thermometer
- Additional ferrules as required.

### PRODUCT OUTLET

#### STANDARD

- Standard tri-clamp ferrule
- Variety of valve options, contact factory for information.

### LEGS

#### STANDARD

- Stainless steel legs with adjustable ball feet & steel bracing, # 4 finish

#### OPTIONAL

- Extended legs & bracing

### LADDER

#### OPTIONAL

- Optional stainless steel exterior ladder with platform permanently mounted at convenient working height