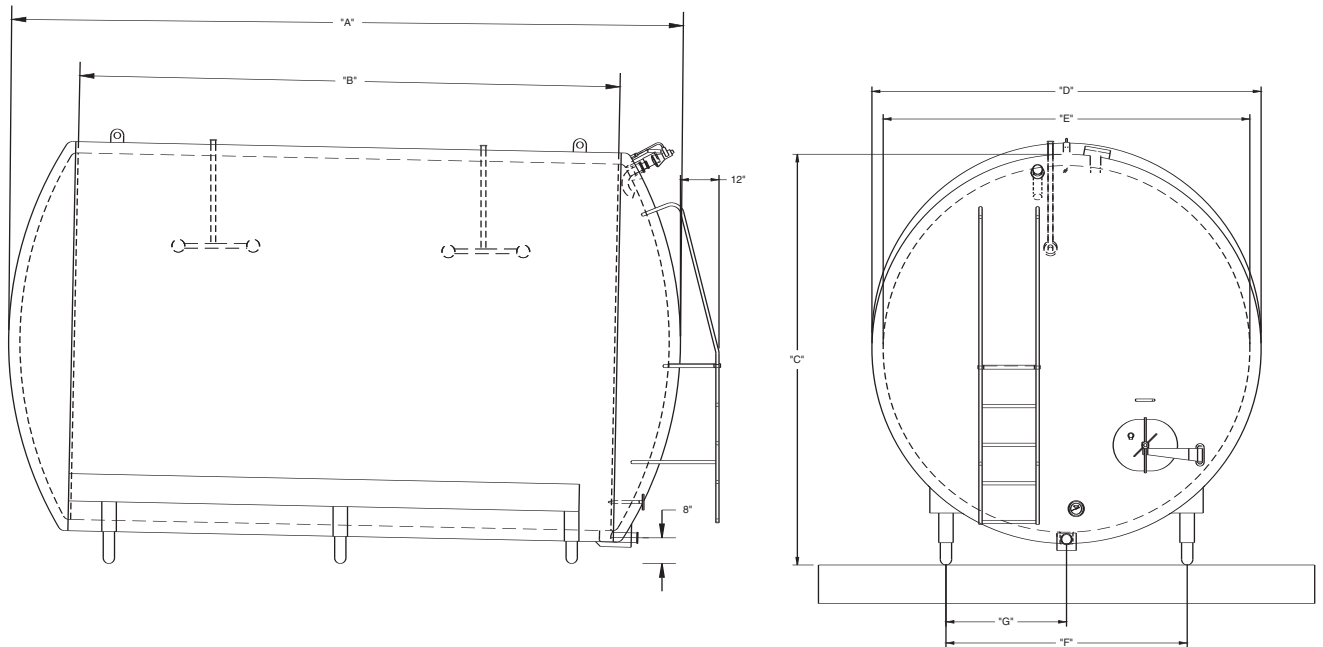


SPECIFICATIONS FOR ROUND HORIZONTAL STORAGE TANKS



Nominal Capacity (gallons)	Wrap Outside Diameter	Liner Inside Diameter	Liner Shell Height	Overall Length (Approx.)	Overall Height (Approx.)	Number of Legs	Approx. Weight (Lbs.)	F	G
1,000	73"	66"	5'-0"	7'-4"	6'-8"	4	2,700	36"	18"
1,500	73"	66"	8'-0"	10'-4"	6'-8"	4	3,100	36"	18"
2,000	91"	84"	6'-0"	8'-9"	8'-2"	4	3,600	50"	25"
2,500	91"	84"	8'-0"	10'-9"	8'-2"	4	4,400	50"	25"
3,000	91"	84"	10'-0"	12'-9"	8'-2"	6	4,700	50"	25"
4,000	103"	96"	10'-0"	12'-11"	9'-2"	6	5,400	60"	30"
5,000	105"	98"	12'-0"	15'-0"	9'-4"	6	6,300	60"	30"
6,000	103"	96"	15'-0"	17'-11"	9'-2"	6	7,100	60"	30"
6,000	113"	106"	12'-0"	15'-3"	10'-0"	6	7,500	60"	33"
7,000	103"	96"	18'-0"	20'-11"	9'-2"	8	8,000	60"	30"
7,000	113"	106"	14'-0"	17'-3"	10'-0"	8	8,400	66"	33"
8,000	105"	98"	20'-0"	23'-0"	9'-4"	8	7,500	60"	30"
8,000	121"	114"	14'-0"	17'-5"	10'-8"	8	9,600	75"	37-1/2"
9,000	103"	96"	24'-0"	26'-11"	9'-2"	10	10,200	60"	30"
10,000	107"	100"	24'-0"	27'-1"	9'-6"	10	10,800	60"	30"
10,000	115"	108"	20'-0"	23'-4"	10'-2"	10	12,000	66"	33"
12,000	127"	120"	20'-0"	23'-7"	11'-2"	10	13,600	77"	38-1/2"

SPECIFICATIONS FOR ROUND HORIZONTAL STORAGE TANKS

INNER LINER

STANDARD

- T-304 Stainless Steel #4 dairy finish

OPTIONAL

- T-316 stainless steel #4 dairy finish
- other finishes and materials of construction available upon request

INSULATION

STANDARD

- 3" polystyrene foam board, scored to fit curvature of tank, and banded to tank.
- Front Head - 3" polystyrene foam board.
- Rear Head - 3" fiberglass to compensate for expansion and contraction

OPTIONAL

- Other materials available upon request

REINFORCING RINGS

STANDARD

- Reinforcing rings, not welded to tank liner to maintain rigidity.
- Provided with thermal barrier between ring and tank liner.
- Fiberglass insulation over rings, between rings and outer jacket.

OUTER JACKET

STANDARD

T-304 Stainless steel front head with 8" stainless steel band on sidewall #4 finish. Remaining tank #2B mill finish, welded seams stripe buffed smooth, not flush, discoloration removed.

OPTIONAL

- carbon steel prime painted with Tufcote gray primer # 1856S
- Stainless steel front head, with 8" stainless steel band

on sidewall # 4 finish with remaining tank carbon steel prime painted

- Finish paint, 2 coats, color upon request

SUPPORT LEGS

STANDARD

- Continuous length stainless steel leg angles welded to the reinforcing rings to facilitate weight distribution and effective transfer to legs
- 4" stainless steel pipe legs, 3" stainless steel ball feet, concealed threads leg angles connected to reinforcing rings.
- Leg adjustment plus, minus 5/8" allows 1/4" pitch, based on 8" outlet height

OPTIONAL

- Leg bracing for higher outlet heights

LIFTING LUGS

STANDARD

- 2 lugs, one on each end of tank, top straight side

FITTINGS

STANDARD

Inlet Connection:

- 2" removal no-foam located in top front head, with clamp connection

Outlet Connection:

- 3" O.D. x 0.120 wall tubing welded on sump type pod, with clamp connection.

OPTIONAL

Inlet Connection:

- 3" inlet connection
- 2" connection in lower front head offset above outlet
- 3" connection in lower front head offset above outlet

Inlet and Outlet:

- flange mount
- butt weld
- special ferrules for inside closing valve, example-#762 series valve

SPECIFICATIONS FOR ROUND HORIZONTAL STORAGE TANKS

THERMOMETER

STANDARD

- 5" dial, 20 to 240 degs. F.
- Located in #1300 stainless steel projectile type well

OPTIONAL

- Back angle, or customers request

RTD WELL

STANDARD

- #26P397 Stainless steel projectile type well only

OPTIONAL

- Customer specified RTD Recorder available on request

SIGHT AND LIGHTS

STANDARD

- 4" combination sight/light opening includes swing type light 120V
- Deduct upon request

LIQUID LEVEL/GAUGE SHELL/TANK SPUD

OPTIONAL TYPES OF TANK INSERTS

Sensor shell style

- King
- Anderson
- Liquid Scale

Liquid Level tank spud style

- Rosemount
- Foxboro
- aylor

MANWAY

STANDARD

- 16" x 20" elliptical, insulated inside closed hinge style
- includes channel type white neoprene gasket
- door is custom fitted to each tank and numbered
- manway arrangement includes 1" spring loaded sampling valve in door. Grab bar, located above valve in door

OPTIONAL

Sample Port

- QMI tru-test sampler port located in door. This can be in addition to the standard sample valve, or in lieu of the standard sample valve

Top manway Gasket material:

- EPDM
- Viton
- Nitrile

AGITATION

STANDARD

- Vertical top entry, 3/60Hz 230-460 V TEFC mechanical agitator assembly
- 33" Dia., 2 blade impeller, and bottom guide bearing
- 1.5 or 2 HP motor at 48 RPM

OPTIONAL

- Vertical agitator 2 speed gear motor
- 3 HP motor or greater
- Impellar subject to variations based on product profile.

NOTES

- Consult factory with specific storage product to determine best application for such considerations as specific gravity, viscosity, and temperature

CLEAN IN PLACE (CIP)

STANDARD

- Klenzade SB-1 double ball spray unit welded in straight side of tank
- one or two units furnished based on tank diameter and straight side
- rating 80 GPM @ 25psi

OPTIONAL

- Klenzade SB-5 single ball unit welded in
- CIP door-stainless steel, HT-3C white neoprene gasket

SPECIFICATIONS FOR ROUND HORIZONTAL STORAGE TANKS

NOTES

- Specials units available on request
- Units are normally supplied with 1.5" Clamp connection

VENT

STANDARD

- 3" vent located in top front head includes bayonet connection vent screen with cap and dust cover. Sized to handle fill/empty rate of 400 GPM

OPTIONAL

- 4" vent, sized to handle fill/empty rate of 700 GPM
- 6" vent sized to handle fill/empty rate of 1600 GPM

NOTES

- Venting is an essential part of a functioning tank. Improper venting can lead to serious damage to vessels. Using the guide listed above to properly size the vent is very important in determining fill/empty rate
- Also, size of the inlet and outlet, and the number of inlet and outlet connections should be considered to develop the maximum fill/empty rate prior to sizing the vent

LADDER

STANDARD

- Stainless steel double handrail and steps with non skid platform and rungs
- Located in tank front head on opposite side of manway assembly

HEAT TRANSFER SURFACE

OPTIONAL

- Omega Thermal Products "laser style" heat transfer surface - UM ASME rated
- Heat transfer surface can be used for NH3 Thermal Expansion, NH3 Full Flooded, NH3 Recirculated system, Refrigerants, Ice Water, Hot water, or Steam
- Typical connections are 2", 150 pound couplings

NOTES:

- Heat transfer surface is dependent on product being stored
- Consult Walker on specific needs and applications

REFRIGERATION CONTROLS

OPTIONAL

Typical NH3 full flooded

- Packages available mounted or not mounted